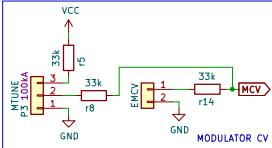
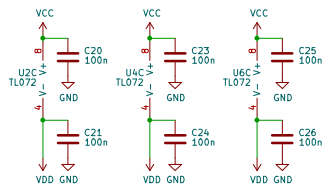
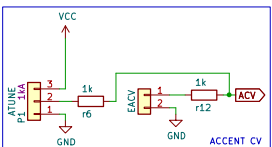


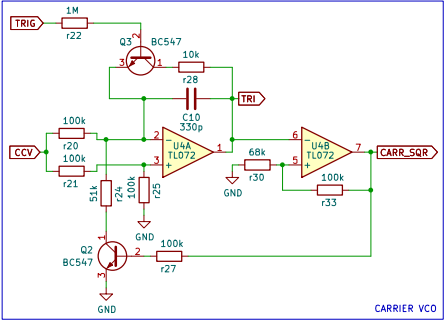
H1 MountingHole
H2 MountingHole



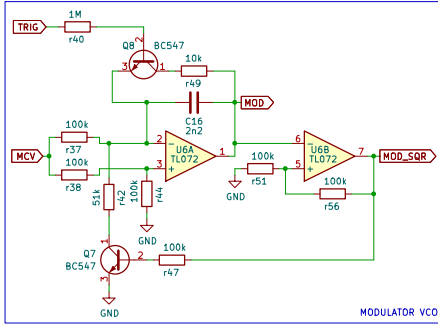
MODULATOR CV



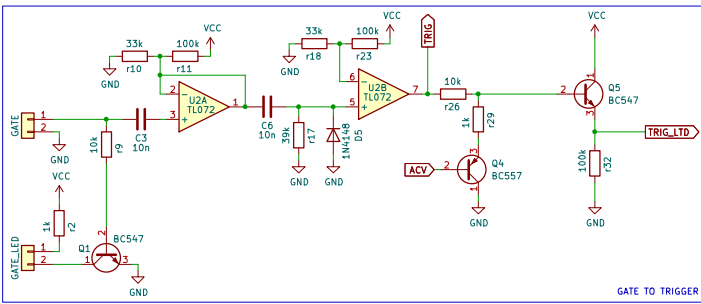
ACCENT CV



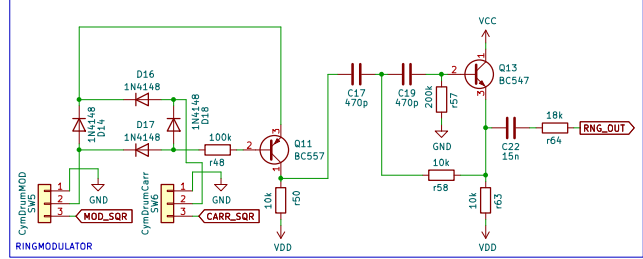
CARRIER VCO



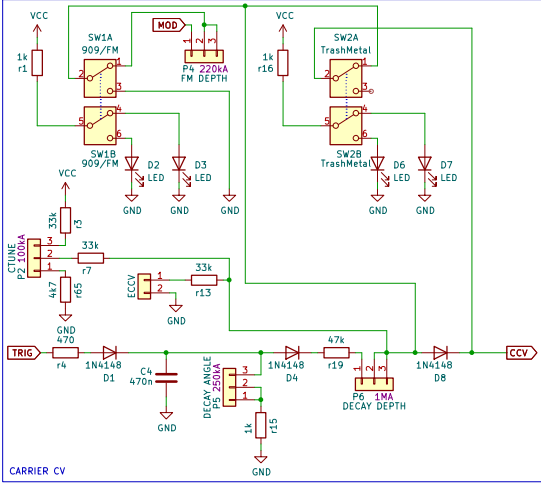
MODULATOR VCO



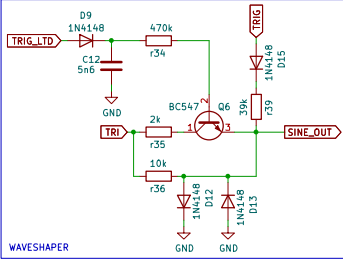
GATE TO TRIGGER



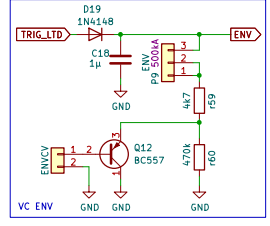
RINGMODULATOR



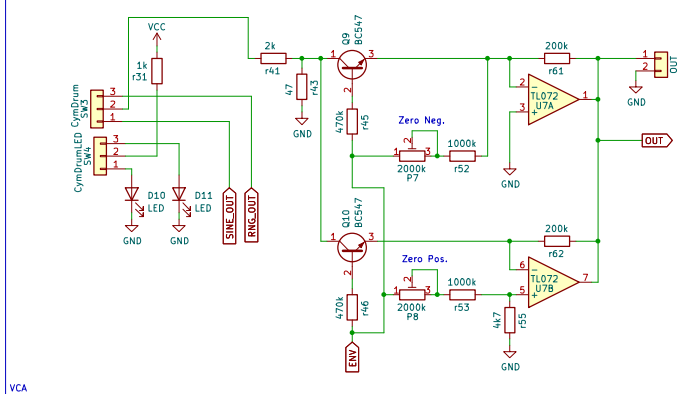
CARRIER CV



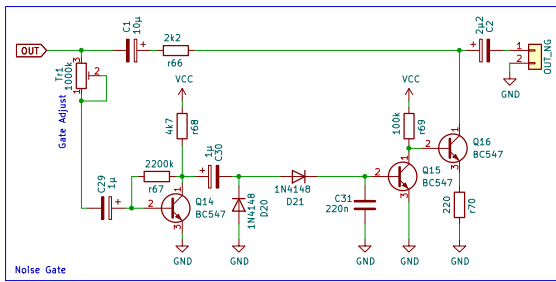
WAVESHAPER



VC ENV



VCA



Noise Gate